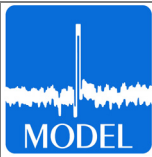


### Trustworthiness

The Model 1099 Sentinel® Splice Detector™ Technology is designed to monitor one or two webs of non-metallic material for the presence of splice (joint) type faults. Based on the world's leading proprietary sensing technology patented by RKB, the Model 1099 Sentinel® is unaffected by printed surfaces, material color, splice tape colors, grade changes and process speeds that challenge "photo eyes" and "ultrasonic devices". The Model 1099 Sentinel® is a self-calibrating system that is powered by 24VDC. This technology guarantees 100% reliable and accurate detection of every known splice type every shift; every day. The return on investment (ROI) is well within 24 hours once implemented in most, if not all, processing conditions.

### Proven Performance

Our splice detectors are designed for reliable, stable and consistent operation 24/7 in real world conditions. Designed to operate on low speed through high speed coating, laminating, printing, packaging and specialized converting processes our splice detectors are proven the leader in performance, reliability and price. With Installations in over 130 Countries worldwide; join with leading manufacturers who demand proven performance for their quality control requirements.

 <h1>1099™</h1>	
<b>TECHNICAL SPECIFICATIONS</b>	
<b>Defects Types Detected:</b>	Splices Tearouts Web Breaks
<b>Material Compatibility:</b>	Non-metallic Materials
<b>Web Thickness:</b>	0.175" (4.45 mm) Max.
<b>Gap Width:</b>	0.20" (5.08 mm)
<b>Maximum Web Speed:</b>	No Limit
<b>Electronic Alarm Output:</b>	
Pulse Outputs:	1
Voltage:	24V (± 3 V)
Direction:	Positive Going
Duration:	1ms, 10ms, 100 ms
<b>Ambient Temperature:</b>	40 to 160° F (4 to 70° C)
<b>Dimensions:</b>	4.5" X 4.5" X 12.0" (11.43 cm X 11.43 cm x 30.48 cm)
<b>Power:</b>	24VDC
<p style="text-align: center;">Specifications are subject to change without notice.                  Note: If you web speed is less than 100 fpm, specialized circuitry may have to be applied. If you purchase this unit and it is found that specialized circuitry is required due to misinformation, all monies applicable will be charged, then applied as a credit for replacement of this standard unit with a specialized unit. Additional fees may be applied.</p>	

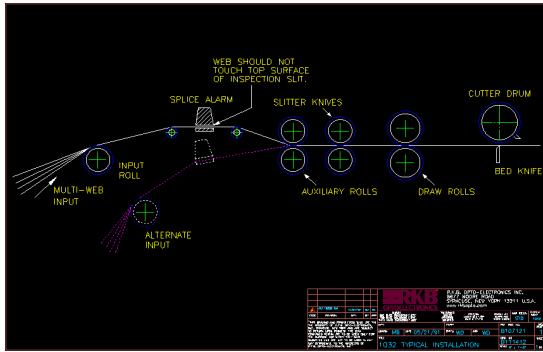
### Eliminate Operator Involvement

The Model 1099 Sentinel® can be connected directly to PLC control devices or interfaced for activation of peripheral equipment such as auto tracking, audio/visual alarms, counters, sorters, coating head applicators, corona treaters, spray marking systems and reject gate controls. Modular in design, the new Sentinel requires 50% less energy to operate. This technology comes as a complete package measuring and is supplied with the appropriate mounting holes based on geographical location of the installation.



### R.K.B. OPTO-ELECTRONICS, INC.

6677 Moore Road • Syracuse, New York • 13211 • United States of America  
 Tel: +001-315-455-6636 • Fax: +001-315-455-8216 • Email: sales@splicedetector.com  
 Internet: www.rkbopto.com / www.splicedetector.com / www.splicedetector.net

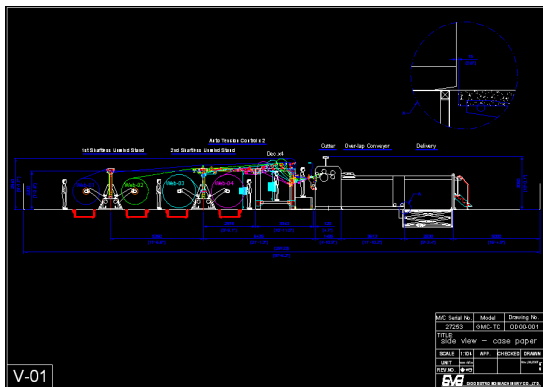
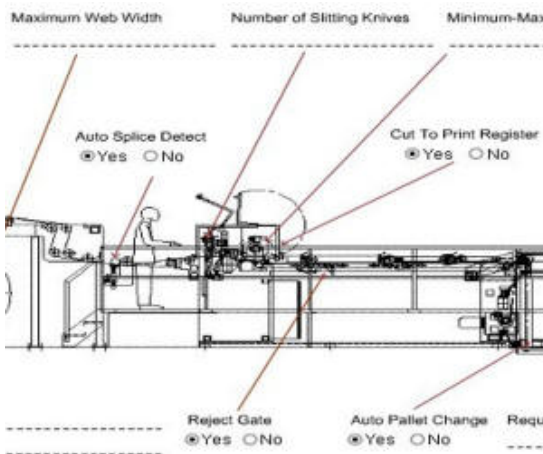


### Guarantee Product Quality

With thousands of installations worldwide, our splice detection technologies have been effectively applied to ensure delivered product quality on tens of thousands of materials, coated and non-coated such as papers, films, nonwovens, textiles, and tapes. Our splice detection technologies can be installed on many types of machinery including sheeters, on and off machine coaters, extrusion laminators, supercalenders, rotogravure and flexographic printing presses, holographic processes, textile and nonwoven machinery.

### Call Today

Call us to discuss your splice detection applications and to learn more about the industry's most diverse line of machine vision web inspection related products.



### R.K.B. OPTO-ELECTRONICS, INC.

6677 Moore Road • Syracuse, New York • 13211 • United States of America  
 Tel: +001-315-455-6636 • Fax: +001-315-455-8216 • Email: sales@splicedetector.com  
 Internet: www.rkbopto.com / www.splicedetector.com / www.splicedetector.net